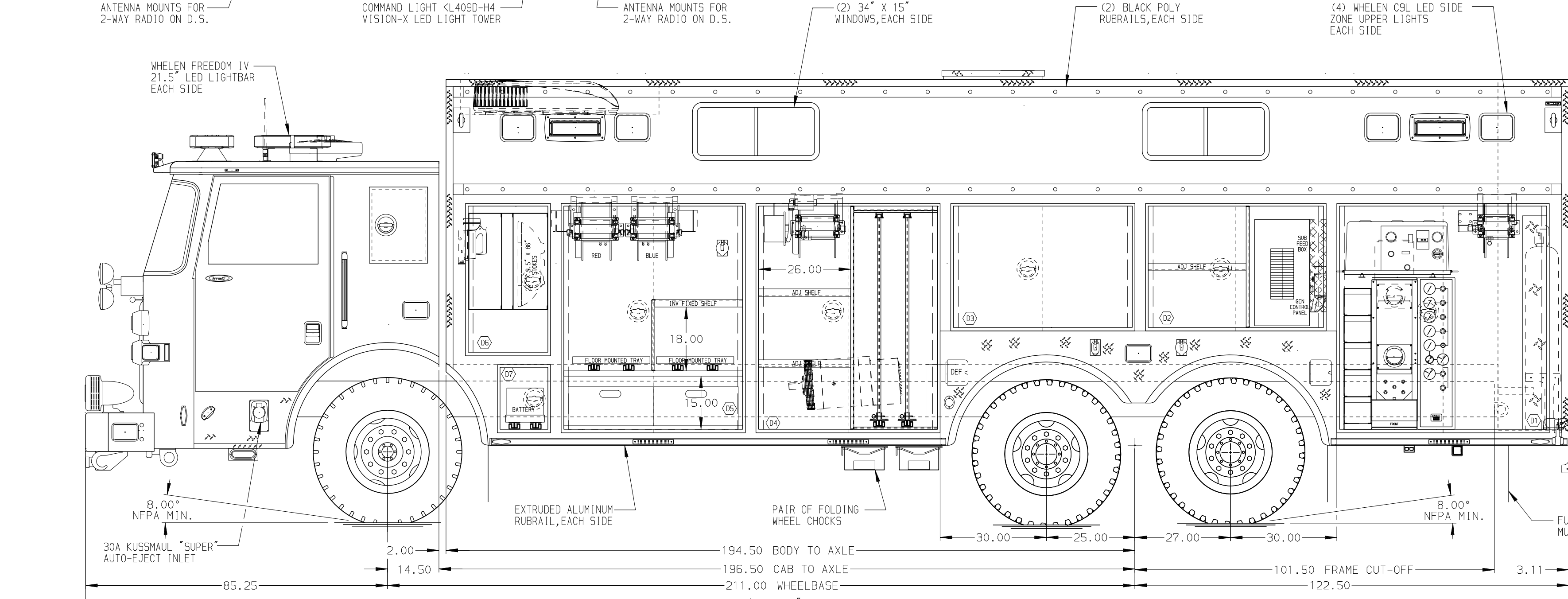
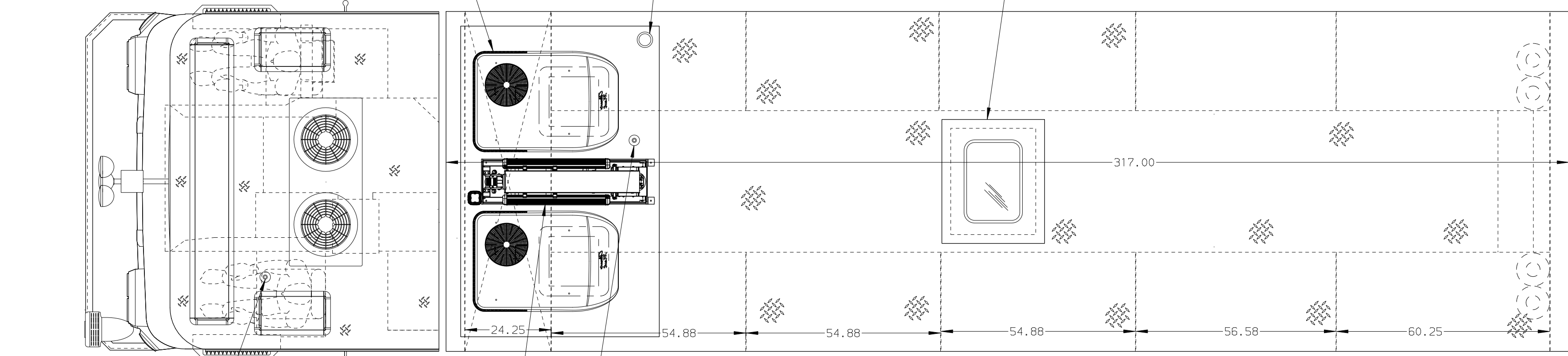
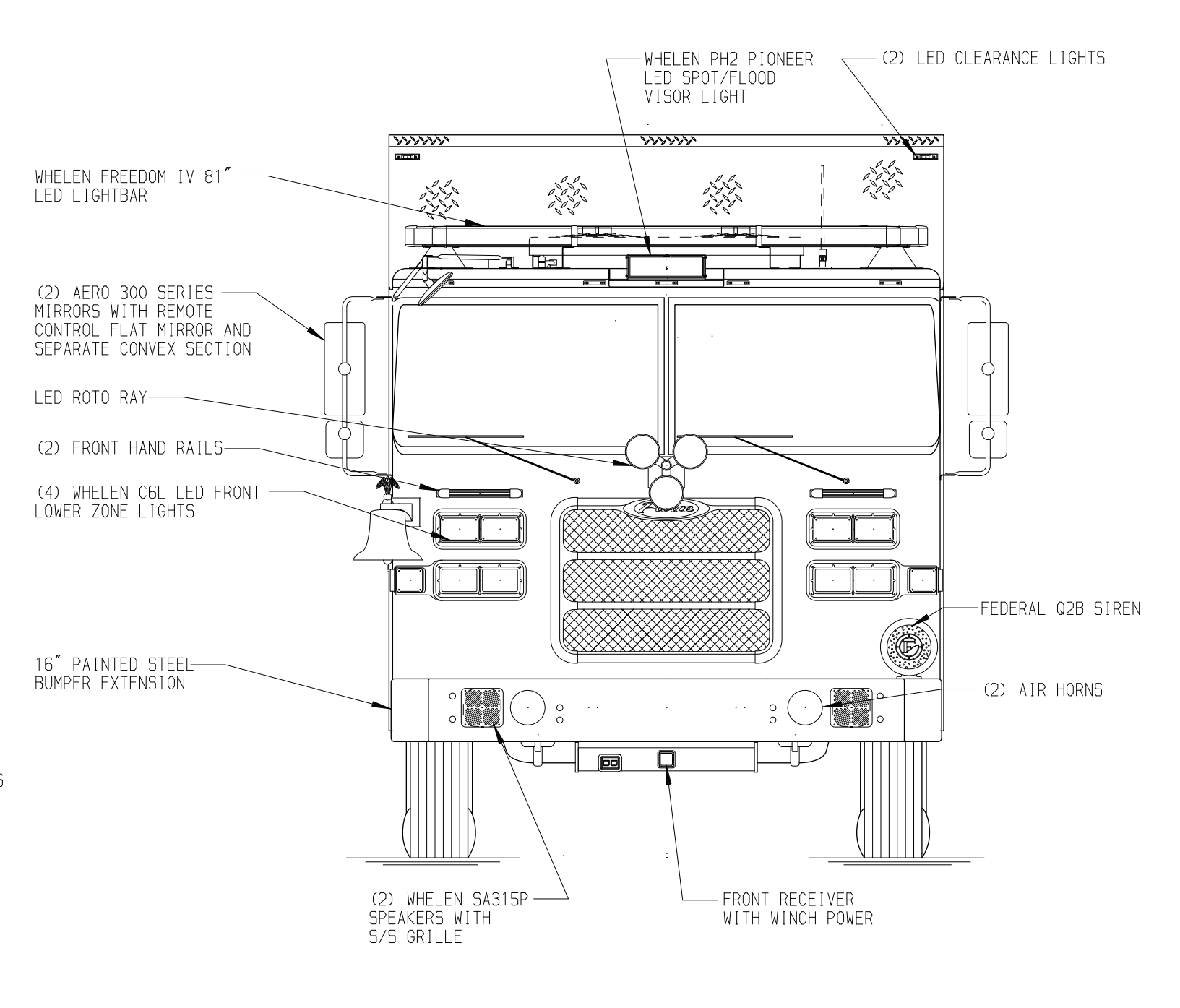
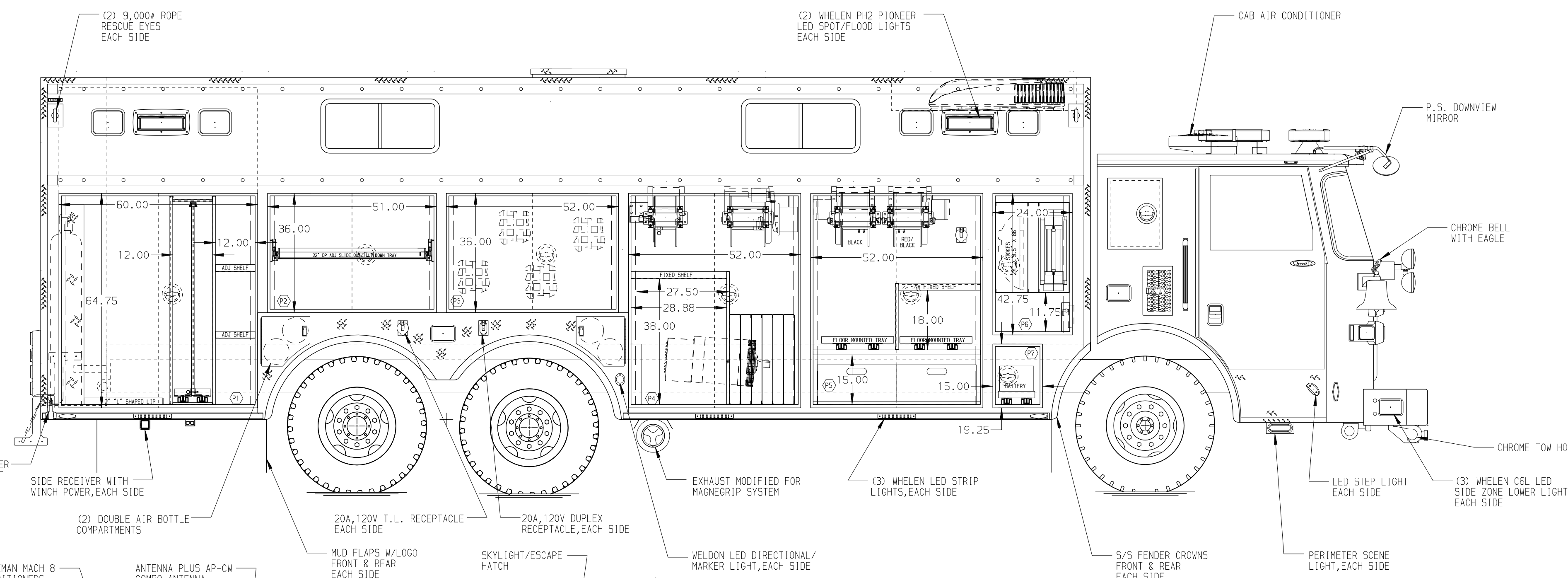


**PASSENGER'S SIDE COMPARTMENTS CONTAIN THE FOLLOWING:**

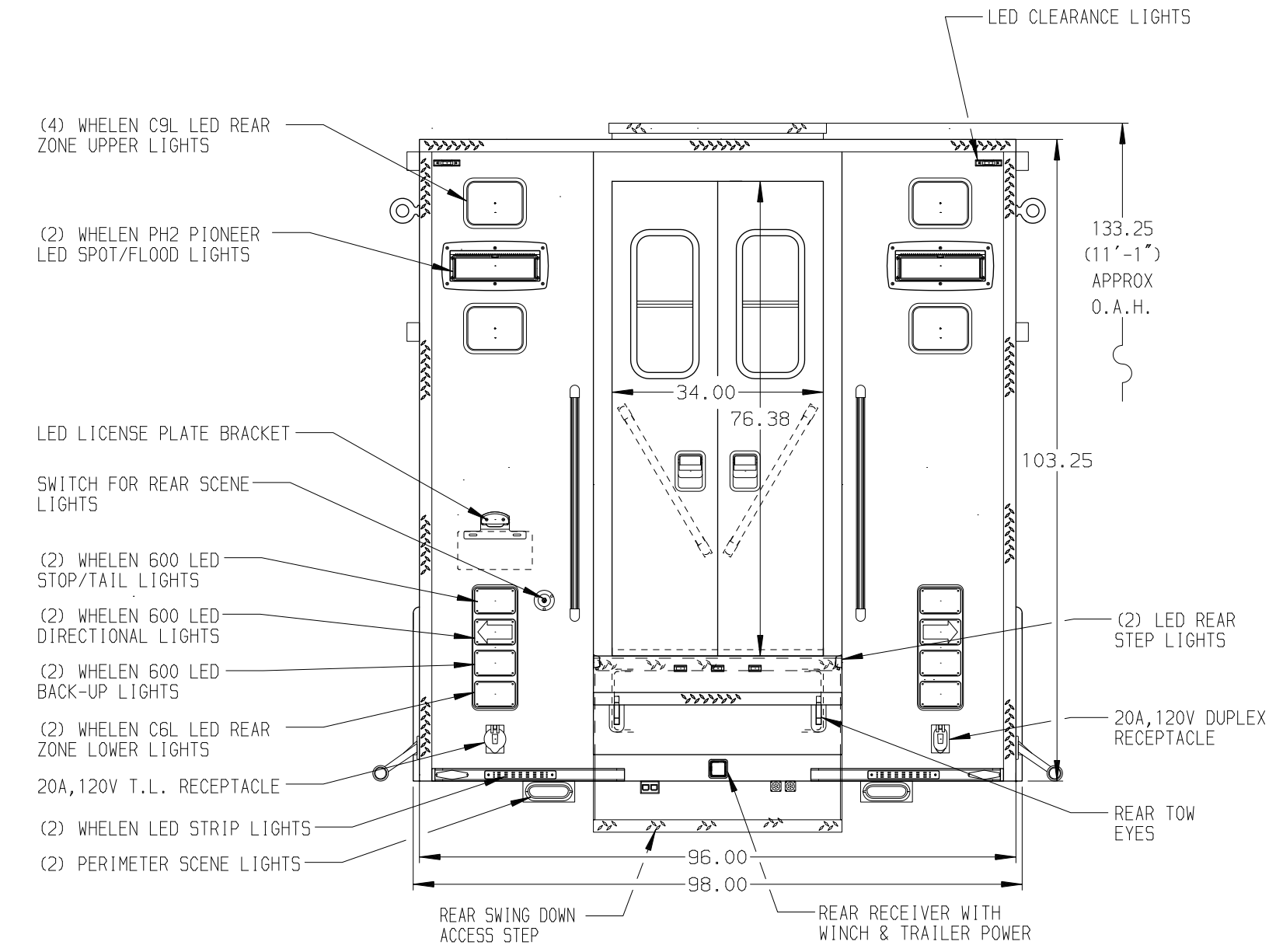
- COMPARTMENT P1 CONTAINS:**  
 - (2) 22" DP ADJ SHELVES  
 - (1) 27" L-SHAPED LIP ON FLOOR  
 - (2) 6000 UN AIR STORAGE BOTTLES  
 - ALUMINUM TREADPLATE COVER OVER U.N. BOTTLES  
 - (2) VERTICAL COMPARTMENT DIVIDERS  
 - (1) 22" DP ADJ SLIDE OUT TOOLBOARD W/TRAY
- COMPARTMENT P2 CONTAINS:**  
 - (1) 22" DP ADJ SLIDE OUT/TILT TRAY
- COMPARTMENT P3 CONTAINS:**  
 - CARGO RETENTION NETTING
- COMPARTMENT P4 CONTAINS:**  
 - (1) RACK FOR 6 AIR BAGS  
 - (1) LOW PRESSURE AIR REEL W/150' OF HOSE  
 - (1) ELECTRIC CORD REEL WITH 200' OF 10/4 YELLOW CORD  
 - (1) VERTICAL COMPARTMENT DIVIDER  
 - (1) FIXED SHELF
- COMPARTMENT P5 CONTAINS:**  
 - (1) 30A, 240V T.L. RECEPTACLE  
 - (2) HYDRAULIC REELS W/100' OF DUAL HOSE  
 - (2) FLOOR MOUNTED TRAYS  
 - (1) HORIZONTAL FLOOR EXTENSION  
 - (1) VERTICAL COMPARTMENT DIVIDER  
 - (1) INVERTED FIXED SHELF  
 - (2) POLY TOOL BOXES
- COMPARTMENT P6 CONTAINS:**  
 - (1) CAB LIFT CONTROL WITH COVER  
 - (1) STOKES BASKET RACK  
 - (1) RACK FOR BACKBOARD  
 - (1) LITTLE GIANT LADDER RACK
- COMPARTMENT P7 CONTAINS:**  
 - (1) FLOOR MOUNTED TRAY  
 - (3) EXIDE GROUP 31 BATTERIES



**DRIVER'S SIDE COMPARTMENTS CONTAIN THE FOLLOWING:**

- COMPARTMENT D1 CONTAINS:**  
 - (2) 6000 UN AIR STORAGE BOTTLES  
 - (1) RACK FOR 5 SCBA BOTTLES  
 - (1) "SPACESAVER" 2-BOTTLE FILL ENCLOSURE  
 - (1) CASCADE SYSTEM CONTROL PANEL  
 - (1) HIGH PRESSURE AIR REEL W/200' OF HOSE  
 - ALUMINUM TREADPLATE COVER OVER U.N. BOTTLES  
 - (1) BOOSTER AIR PUMP
- COMPARTMENT D2 CONTAINS:**  
 - (1) 22" DP ADJ SHELF  
 - (1) CIRCUIT BREAKER PANEL  
 - (1) GENERATOR METER PANEL  
 - (2) SUB FEED BOXES  
 - (1) LIGHT MAST CONTROLLER  
 - (1) VERTICAL COMPARTMENT DIVIDER
- COMPARTMENT D3 CONTAINS:**  
 -
- COMPARTMENT D4 CONTAINS:**  
 - (1) VERTICAL COMPARTMENT DIVIDER  
 - (2) 22" DP ADJ SLIDE OUT TOOLBOARDS  
 - (2) 22" DP ADJ SHELVES  
 - (1) ELECTRIC CORD REEL WITH 200' OF 10/4 YELLOW CORD
- COMPARTMENT D5 CONTAINS:**  
 - (1) 30A, 240V T.L. RECEPTACLE  
 - (2) HYDRAULIC REELS W/100' OF DUAL HOSE  
 - (2) FLOOR MOUNTED TRAYS  
 - (1) HORIZONTAL FLOOR EXTENSION  
 - (1) VERTICAL COMPARTMENT DIVIDER  
 - (1) INVERTED FIXED SHELF  
 - (2) POLY TOOL BOXES
- COMPARTMENT D6 CONTAINS:**  
 - (1) STOKES BASKET RACK  
 - (1) RACK FOR BACKBOARD  
 - (1) STREAMLIGHT HANDLIGHT
- COMPARTMENT D7 CONTAINS:**  
 - (1) FLOOR MOUNTED TRAY  
 - (3) EXIDE GROUP 31 BATTERIES

NOTE: LAP DOORS HAVE BEEN SHOWN IN HIDDEN LINES TO CLEARLY IDENTIFY THE EQUIPMENT IN EACH COMPARTMENT. DASHED LINES ON SIDES ARE DOORS IN OPEN POSITION



**NOTE**  
 DIMENSIONS SHOWN ARE APPROXIMATE AND ARE SUBJECT TO MINOR DEVIATIONS AS MAY OCCUR OR BE NECESSARY IN CONSTRUCTION.  
 MINOR DETAILS NOT SHOWN.

- NOTES:**
1. WARN 9,000# PORTABLE WINCH
  2. S/5 SCUFFPLATES ON CAB DOOR JAMBS
  3. FLOOR IN CAB TO BE ALUMINUM TREADPLATE
  4. ALUMINUM TREADPLATE ON FRONT OF BODY AND REAR FENDER PANELS
  5. BRUSHED S/5 SCUFFPLATES ON INSIDE OF COMPARTMENT DOORS
  6. PIERCE LED STRIP LIGHTS IN ALL BODY COMPARTMENTS
  7. ONAN 30kW SINGLE PHASE PTO DRIVEN GENERATOR WITH SPLASH GUARD LOCATED BETWEEN THE FRAME RAILS
  8. KUSSMAUL PUMP PLUS 1200 BATTERY CHARGER WITH COVER LOCATED BEHIND OFFICER'S SEAT
  9. BATTERY CHARGE INDICATOR LOCATED AT DRIVER'S SEAT WITH BRACKET

STAINLESS STEEL BODY

CLEAR DOOR WIDTH KEY		CHASSIS DATA	
AMDR ROLL UP DOORS:	-2 1/4"	03AUG18	DHE AZU
CORTITE ROLL UP DOORS:	-2 1/2"	06JUN18	ALZ AZU
PIERCE DOUBLE LAP DOORS:	-4 1/4"	23APR18	DHE AZU
PIERCE LIFT-UP LAP DOORS:	-1 1/2"		
(EX: 60" F-F - 2 1/4" = 57 3/4" CLEAR)		REV	DATE BY CH

		JOB NO.	32439
		SCALE	DATE
TITLE	HEAVY DUTY RESCUE WALKIN	DRAWN BY	DHE 10APR18
FOR	NORTH CHARLESTON FIRE DEPARTMENT NORTH CHARLESTON, NC	CHECKED BY	AZU 10APR18
DWG NO.	32439AD-SH1	SHEET SIZE	SHEET NO.
		D	1 OF 2